

2026 COLLECTION



AVID[®]
BOATS



THE AVID ADVANTAGE

At Avid Boats, innovation isn't just a goal—it's our standard. From our headquarters in Amory, Mississippi, we design and build high-performance aluminum fishing boats that showcase our unwavering commitment to quality and craftsmanship. With premium materials and cutting-edge technology, every Avid boat is engineered to deliver an unparalleled experience on the water.

Whether you're navigating bays, casting lines on lakes and rivers, or embarking on hunting and fishing adventures, Avid Boats are built to perform in every environment.

With precision engineering, innovative features, and a steadfast dedication to customer satisfaction, Avid Boats lets you focus on what matters most—creating lasting memories on the water.



ABOUT	4	ROGUE	14	FSX	26	FUSION	34
COMMANDER	10	VERTEX	22	MAG	30	RECON	38



POWERED BY



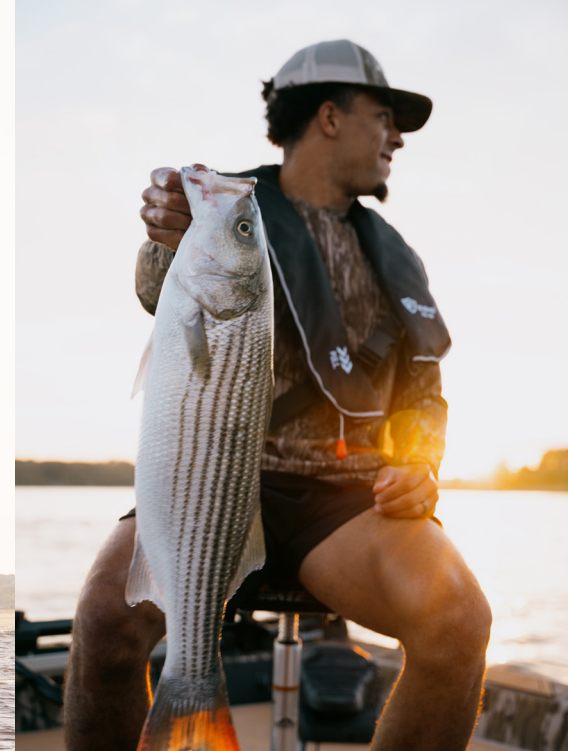
Performance and reliability are at the forefront of everything we build. That's why we proudly equip our boats with Yamaha Outboards, the industry leader in marine power. Known for their unmatched dependability, efficiency, and innovative technology, Yamaha Outboards provide the ultimate boating experience, whether you're fishing, cruising, or exploring.



OUR COMMITMENT

We build aluminum boats that deliver exceptional strength, durability, and performance. Our fully-welded construction starts with a robust stringer system, reinforced with knee braces in the transom for added structural integrity. This design ensures a solid foundation capable of performing in challenging conditions with confidence. To further enhance durability, we incorporate precision engineered extrusions throughout the boat, providing superior rigidity and a seamless finish. Each boat is fully foam-filled, not only for enhanced flotation and safety but also to reduce noise and vibration, creating a smoother and quieter ride.

† †



PRECISION ENGINEERING

With a commitment to premium materials, Avid Boats delivers craftsmanship you can trust. We equip our boats with high-quality components designed to meet the highest standards of reliability and functionality.



OUR WARRANTY

At Avid, we stand behind the quality and craftsmanship of every boat we build. Our industry-leading warranty program gives you peace of mind, knowing your investment is protected. Each Boat comes with a **Limited Lifetime Warranty** on the hull, ensuring durability and performance for years to come.

EXCEPTIONALLY MADE ALUMINUM

Avid Boats are crafted using premium-grade 5052 aluminum alloy for superior corrosion resistance and longlasting performance.



VERSATILE PERFORMANCE

COMMANDER SERIES



The Commander Series is built for those who demand simplicity, reliability, and versatility. Designed with tiller steering for precise control, these boats are perfect for both hunting and fishing adventures. Whether you're navigating shallow waters, stalking game, or casting lines, the Commander Series delivers rugged performance and practicality.



18 COMMANDER

The 18 Commander is a versatile utility boat, perfect for fishing and hunting. This tiller-operated boat is designed for straightforward control and functionality, accommodating up to a 90 HP engine for powerful and efficient performance.

SPECIFICATIONS

LENGTH	18'9"	WEIGHT	970 LBS
BEAM	88"	FUEL CAPACITY	12 GAL
TRANSOM HEIGHT	20"	WEIGHT CAPACITY	1,485 LBS
MAX HP	90 HP	PERSONS	4/650 LBS
SIDE HEIGHT	24"	ALUMINUM - 5052 MARINE	
BOTTOM WIDTH	60"	GRADE ALLOY	0.125
DRAFT	10"	FORWARD LIVEWELL	25 GAL
DEADRISE TRANSOM	8°	AFT DUAL PORT/STARBOARD	
DEADRISE ENTRY	45°	STORAGE COMPARTMENTS	68 QTS

STANDOUT FEATURES

- ▲ Rod/Gun Box
- ▲ Pre-Wired For Trolling Motor
- ▲ Versatec™ Gunnel
- ▲ Optional Seelite LED Lighting



16 COMMANDER

Engineered for outdoor enthusiasts, this versatile craft excels in hunting, fishing, and all-around adventure. With its 16'2" length, 80" beam, and 60 HP, it's equipped to tackle any challenge.

SPECIFICATIONS

LENGTH	16'2"	WEIGHT	769 LBS
BEAM	80"	FUEL CAPACITY	9 GAL
TRANSOM HEIGHT	20"	WEIGHT CAPACITY	1,065 LBS
MAX HP	60 HP	PERSONS	4/532 LBS
SIDE HEIGHT	22"	ALUMINUM - 5052 MARINE	
BOTTOM WIDTH	53"	GRADE ALLOY	0.125
DRAFT	8"	FORWARD FISH BOX	25 GAL
DEADRISE TRANSOM	8°	AFT STARBOARD STORAGE	
DEADRISE ENTRY	45°	COMPARTMENT	30 QTS

STANDOUT FEATURES

- ▲ Rod/Gun Box
- ▲ Optional Plumbed Livewell
- ▲ Versatec™ Gunnel
- ▲ Optional Seelite LED Lighting

ADAPTABLE CAPABILITY

ROGUE SERIES



DEPENDABLE PERFORMANCE

The **Rogue Series** is built for anglers who value versatility, durability, and simplicity. Designed to excel in a variety of environments, these boats are perfect for fishing, hunting, or simply enjoying a day on the water.



AGILITY, VERSATILITY, & PERFORMANCE

Designed for those who seek agility, versatility, and performance on the water. Each model in the Rogue lineup offers a user-friendly experience.



22 ROGUE CC

With added length and deck space, the 22 Rogue is built to handle bigger water without losing the rugged utility and fishability that defines the line. It's the ideal choice when you need a little more room and to go wherever the fish take you.

SPECIFICATIONS

LENGTH	22'	WEIGHT	1,776 LBS
BEAM	98"	FUEL CAPACITY	34 GAL
TRANSOM HEIGHT	25"	WEIGHT CAPACITY	2,030 LBS
MAX HP	175 HP	PERSONS	8/1,157 LBS
SIDE HEIGHT	27"	ALUMINUM - 5052 MARINE	
BOTTOM WIDTH	70"	GRADE ALLOY	0.125
DRAFT	11"	IN-CONSOLE LIVEWELL	10.5 GAL
DEADRISE TRANSOM	9°	FORWARD LIVEWELL	25 GAL
DEADRISE ENTRY	45°	LENGTH ON TRAILER	26'2"

STANDOUT FEATURES

- ▲ Two Livewells
- ▲ Leaning Post
- ▲ Versatec™ Gunnel System
- ▲ Modified Performance V Hull



20 ROGUE SC

A sleek and agile side console version of our renowned 20 Rogue model. With a strategic layout, it offers easy access to controls and a clear line of sight, making it an ideal choice for anglers who value efficiency.

SPECIFICATIONS

LENGTH	20'2"	WEIGHT	1,503 LBS
BEAM	95"	FUEL CAPACITY	20 GAL
TRANSOM HEIGHT	25"	WEIGHT CAPACITY	1,900 LBS
MAX HP	150 HP	PERSONS	7/1,100 LBS
SIDE HEIGHT	27"	ALUMINUM - 5052 MARINE	
BOTTOM WIDTH	69"	GRADE ALLOY	0.125
DRAFT	11"	FORWARD LIVEWELL	25 GAL
DEADRISE TRANSOM	8°	LENGTH ON TRAILER	25'3"
DEADRISE ENTRY	45°		

STANDOUT FEATURES

- ▲ Versatec™ Gunnel
- ▲ Optional Step-Up
- ▲ Optional Rod/Gun Box
- ▲ Forward Livewell/Baitwell



20 ROGUE CC

Boasting an expanded size, and higher horsepower, the 20 Rogue is tailored for the pragmatic angler. This boat ensures a straightforward and dependable ride, letting you focus entirely on the pursuit of the perfect catch.

SPECIFICATIONS

LENGTH	20'2"	WEIGHT	1,503 LBS
BEAM	95"	FUEL CAPACITY	20 GAL
TRANSOM HEIGHT	25"	WEIGHT CAPACITY	1,900 LBS
MAX HP	150 HP	PERSONS	7/1,100 LBS
SIDE HEIGHT	27"	ALUMINUM - 5052 MARINE	
BOTTOM WIDTH	69"	GRADE ALLOY	0.125
DRAFT	11"	IN-CONSOLE LIVEWELL	10.5 GAL
DEADRISE TRANSOM	8°	FORWARD LIVEWELL	25 GAL
DEADRISE ENTRY	45°	LENGTH ON TRAILER	25'3"

STANDOUT FEATURES

- ▲ Fiberglass Console
- ▲ Optional T-Top
- ▲ Versatec™ Gunnel
- ▲ Livewell & Forward Console Baitwell



18 ROGUE SC

Built on the foundation of versatility and agility, the 18 Rogue SC allows you to explore various water conditions with confidence, while its durable construction and low-maintenance design provide peace of mind.

SPECIFICATIONS

LENGTH	18'	WEIGHT	1,168 LBS
BEAM	90"	FUEL CAPACITY	20 GAL
TRANSOM HEIGHT	25"	WEIGHT CAPACITY	1,350 LBS
MAX HP	115 HP	PERSONS	5/727 LBS
SIDE HEIGHT	27"	ALUMINUM - 5052 MARINE	
BOTTOM WIDTH	61"	GRADE ALLOY	0.125
DRAFT	11"	FORWARD LIVEWELL	25 GAL
DEADRISE TRANSOM	8°	LENGTH ON TRAILER	23'6"
DEADRISE ENTRY	45°		

STANDOUT FEATURES

- ▲ Fiberglass Console
- ▲ Versatec™ Gunnel
- ▲ Under-Seat Storage
- ▲ Forward Livewell/Baitwell



18 ROGUE CC

A compact powerhouse designed to deliver agility, versatility, and a user-friendly experience. Whether you're a first-time boat buyer or a seasoned enthusiast, this boat offers unmatched ease of use without compromising on performance.

SPECIFICATIONS

LENGTH	18'	WEIGHT	1,168 LBS
BEAM	90"	FUEL CAPACITY	20 GAL
TRANSOM HEIGHT	25"	WEIGHT CAPACITY	1,350 LBS
MAX HP	115 HP	PERSONS	5/727 LBS
SIDE HEIGHT	27"	ALUMINUM - 5052 MARINE	
BOTTOM WIDTH	61"	GRADE ALLOY	0.125
DRAFT	11"	IN-CONSOLE LIVEWELL	10.5 GAL
DEADRISE TRANSOM	8°	FORWARD LIVEWELL	25 GAL
DEADRISE ENTRY	45°	LENGTH ON TRAILER	23'6"

STANDOUT FEATURES

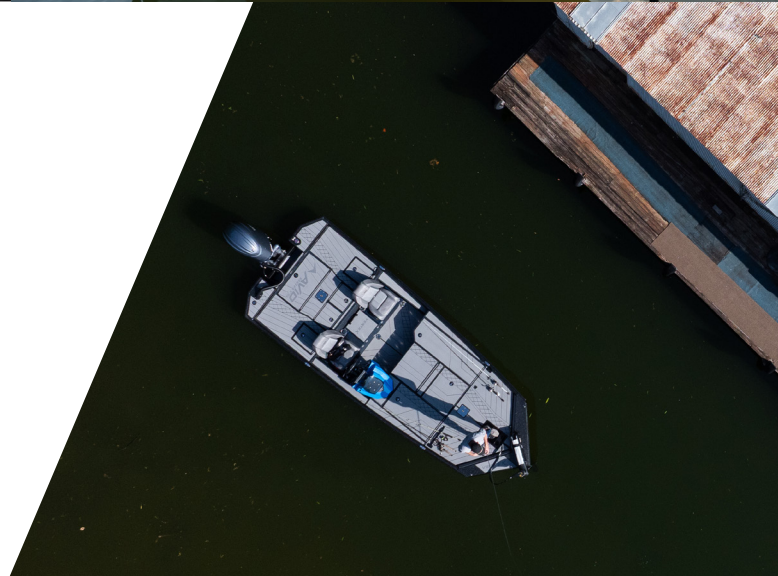
- ▲ Fiberglass Console
- ▲ Versatec™ Gunnel
- ▲ 25" Transom
- ▲ Forward & In-Console Livewell/Baitwell

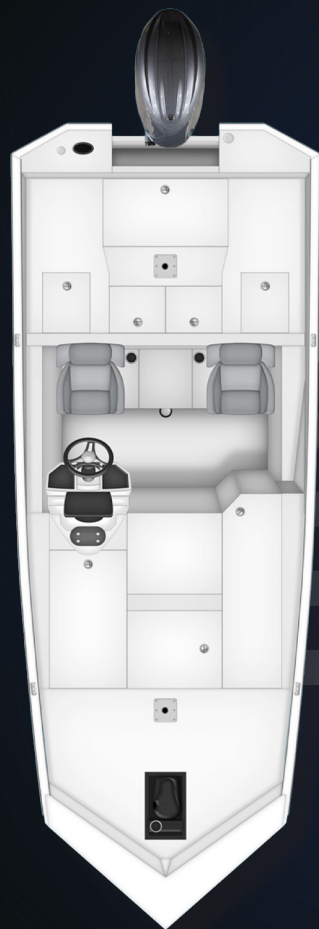
UNMATCHED VALUE

VERTEX SERIES



The Vertex Series is designed for anglers who want a tournament-ready boat without compromise. Loaded with features and built for serious fishing, these boats are ready to perform right out of the gate. From precision handling to efficient layouts, the Vertex Series sets the standard for high-performance aluminum bass boats.





20 VERTEX

A high-performance bass boat designed for anglers who demand both value and versatility. With a spacious layout and top-tier features at an exceptional value, the 20 Vertex is a great choice for seasoned anglers and weekend warriors alike.

SPECIFICATIONS

LENGTH	20'5"	WEIGHT	1,423 LBS
BEAM	95"	FUEL CAPACITY	34 GAL
TRANSOM HEIGHT	20"	WEIGHT CAPACITY	1,760 LBS
MAX HP	175 HP	PERSONS	4/750 LBS
SIDE HEIGHT	24"	PORT ROD BOX	Rods up to 8'
BOTTOM WIDTH	69"	AFT DIVIDED LIVEWELL	32 GAL
DRAFT	11"	AFT STORAGE BOX	
ALUMINUM - 5052 MARINE		CAPACITY	28 QTS (EACH)
GRADE ALLOY	0.125	LENGTH ON TRAILER	25'3"

STANDOUT FEATURES

- ▲ AFT Livewell
- ▲ New Fiberglass Console
- ▲ Versatec™ Gunnel
- ▲ Rod Box with Monster Tube System



18 VERTEX

The 18 Vertex brings the same high-performance and versatility that anglers expect from the Vertex series. With a solid fiberglass console, advanced livewell system, and ample storage, it's designed for serious fishing adventures.

SPECIFICATIONS

LENGTH	18'5"	WEIGHT	1,357 LBS
BEAM	95"	FUEL CAPACITY	20 GAL
TRANSOM HEIGHT	20"	WEIGHT CAPACITY	1,350 LBS
MAX HP	115 HP	PERSONS	4/650 LBS
SIDE HEIGHT	24"	PORT ROD BOX	Rods up to 8'
BOTTOM WIDTH	69"	AFT DIVIDED LIVEWELL	32 GAL
DRAFT	11"	AFT STORAGE BOX	
ALUMINUM - 5052 MARINE		CAPACITY	28 QTS (EACH)
GRADE ALLOY	0.125	LENGTH ON TRAILER	23'4"

STANDOUT FEATURES

- ▲ AFT Livewell
- ▲ Under-Seat Storage
- ▲ Built-In Insulated Cooler
- ▲ Rod Box with Monster Tube System

EXPANSIVE SPACE, ENDLESS CAPABILITIES

FSX SERIES



The FSX Series is built for those who demand versatility and performance. Designed to shine in both fresh and saltwater environments, these boats are perfect for anglers who explore a variety of waterways. Whether you're chasing fish in shallow flats, navigating bays, or venturing offshore, the FSX Series is ready to take you there.



21 FSX

This bay boat offers ample space and a host of premium features, making it a versatile companion for passionate anglers. The 21 FSX delivers an experience characterized by exceptional comfort, performance, and angling excellence.

SPECIFICATIONS

LENGTH	20'7"	WEIGHT	1,488 LBS
BEAM	97"	FUEL CAPACITY	34 GAL
TRANSOM HEIGHT	25"	WEIGHT CAPACITY	1,787 LBS
MAX HP	150 HP	PERSONS	7/1,025 LBS
SIDE HEIGHT	24"	ALUMINUM - 5052 MARINE	
BOTTOM WIDTH	69"	GRADE ALLOY	0.125
DRAFT	11"	IN-CONSOLE LIVEWELL	10.5 GAL
DEADRISE TRANSOM	13°	AFT LIVEWELL	21 GAL
DEADRISE ENTRY	45°	LENGTH ON TRAILER	25'4"

STANDOUT FEATURES

- ▲ Trutaper Gunnels
- ▲ Forward Step-Up
- ▲ Optional Tackle Storage
- ▲ AFT Livewell & Forward Baitwell



19 FSX

This mid-sized, feature-rich bay boat is designed for anglers who appreciate the balance between fishing functionality and leisurely cruising. Built for performance, the 19 FSX is the perfect vessel for a day on the water.

SPECIFICATIONS

LENGTH	19'1"	WEIGHT	1,328 LBS
BEAM	97"	FUEL CAPACITY	20 GAL
TRANSOM HEIGHT	25"	WEIGHT CAPACITY	1,485 LBS
MAX HP	115 HP	PERSONS	5/775 LBS
SIDE HEIGHT	24"	ALUMINUM - 5052 MARINE	
BOTTOM WIDTH	69"	GRADE ALLOY	0.125
DRAFT	11"	IN-CONSOLE LIVEWELL	10.5 GAL
DEADRISE TRANSOM	13°	AFT LIVEWELL	21 GAL
DEADRISE ENTRY	45°	LENGTH ON TRAILER	24'4"

STANDOUT FEATURES

- ▲ Optional Bimini Top
- ▲ Flip-Up Stern Jump Seats
- ▲ 21 Gallon AFT Livewell
- ▲ Forward Fish Box

FISHING FOCUSED

MAG SERIES



ANGLERS' CHOICE

The Mag Series is the ultimate choice for anglers who demand power, precision, and performance. Built to handle diverse environments, these boats are perfect for running the bays, navigating nearshore waters, or exploring winding rivers and expansive lakes.



23 MAG

The 23 Mag is the epitome of fishing-focused engineering. Every inch is optimized for fishing efficiency, from the strategic layout to the abundant storage options. For those who demand the absolute best, the 23 Mag delivers.

SPECIFICATIONS

LENGTH	23'	WEIGHT	1,634 LBS
BEAM	101"	FUEL CAPACITY	50 GAL
TRANSOM HEIGHT	25"	WEIGHT CAPACITY	2,030 LBS
MAX HP	250 HP	PERSONS	8/1,157 LBS
SIDE HEIGHT	27"	ALUMINUM - 5052 MARINE	
BOTTOM WIDTH	69"	GRADE ALLOY	0.125
DRAFT	12"	IN-CONSOLE LIVEWELL	12 GAL
DEADRISE TRANSOM	13°	AFT LIVEWELL	21 GAL
DEADRISE ENTRY	45°	LENGTH ON TRAILER	26'9"

STANDOUT FEATURES

- ▲ **Optional T-Top**
- ▲ **Bow Step-Up**
- ▲ **Flip-Up AFT Jumpseats**
- ▲ **AFT Livewell & Forward Baitwell**



21 MAG

Crafted with the dedicated angler in mind, the 21 Mag is a vessel designed for serious fishing pursuits. Every detail is meticulously considered, ensuring that every angler's need is met, from ample storage to intuitive features.

SPECIFICATIONS

LENGTH	21'	WEIGHT	1,522 LBS
BEAM	101"	FUEL CAPACITY	45 GAL
TRANSOM HEIGHT	25"	WEIGHT CAPACITY	1,787 LBS
MAX HP	200 HP	PERSONS	7/1,025 LBS
SIDE HEIGHT	27"	ALUMINUM - 5052 MARINE	
BOTTOM WIDTH	69"	GRADE ALLOY	0.125
DRAFT	11"	IN-CONSOLE LIVEWELL	12 GAL
DEADRISE TRANSOM	13°	AFT LIVEWELL	21 GAL
DEADRISE ENTRY	45°	LENGTH ON TRAILER	25'4"

STANDOUT FEATURES

- ▲ **Forward Fish Box**
- ▲ **Vertical-Opening Rod Boxes**
- ▲ **Gasket Sealed Storage Box**
- ▲ **AFT Livewell & Forward Baitwell**

BUILT FOR THE FAMILY

FUSION SERIES



The Fusion Series is where versatility and performance meet comfort and style. Designed for anglers and families alike, these boats effortlessly transition between fishing adventures and memorable family outings.



23 FUSION

Designed for boaters who demand the best of both worlds — equal parts family-friendly comfort and serious fishing capability. The 23 Fusion redefines versatility on the water. Its prominent 101" beam ensures a secure, comfortable ride for all.

SPECIFICATIONS

LENGTH	23'	WEIGHT	1,677 LBS
BEAM	101"	FUEL CAPACITY	50 GAL
TRANSOM HEIGHT	25"	WEIGHT CAPACITY	2,030 LBS
MAX HP	250 HP	PERSONS	8/1,157 LBS
SIDE HEIGHT	27"	ALUMINUM - 5052 MARINE	
BOTTOM WIDTH	69"	GRADE ALLOY	0.125
DRAFT	12"	IN-CONSOLE LIVEWELL	12 GAL
DEADRISE TRANSOM	13°	AFT LIVEWELL	21 GAL
DEADRISE ENTRY	45°	LENGTH ON TRAILER	26'9"

STANDOUT FEATURES

- ▲ **Optional T-Top**
- ▲ **Convertible Step-Table**
- ▲ **JBL Stereo System**
- ▲ **AFT Livewell & Forward Baitwell**



21 FUSION

Engineered to seamlessly blend family-friendly amenities with serious angling capabilities, the 21 Fusion is a testament to versatility. With thoughtful features, it's designed to accommodate both leisurely cruises and dedicated fishing.

SPECIFICATIONS

LENGTH	21'	WEIGHT	1,565 LBS
BEAM	101"	FUEL CAPACITY	45 GAL
TRANSOM HEIGHT	25"	WEIGHT CAPACITY	1,787 LBS
MAX HP	200 HP	PERSONS	7/1,025 LBS
SIDE HEIGHT	27"	ALUMINUM - 5052 MARINE	
BOTTOM WIDTH	69"	GRADE ALLOY	0.125
DRAFT	11"	IN-CONSOLE LIVEWELL	12 GAL
DEADRISE TRANSOM	13°	AFT LIVEWELL	21 GAL
DEADRISE ENTRY	45°	LENGTH ON TRAILER	25'4"

STANDOUT FEATURES

- ▲ **Bow Handrail**
- ▲ **Bow Cushions & Backrests**
- ▲ **Flip-Flop Leaning Post**
- ▲ **AFT Livewell & Forward Baitwell**

BUILT FOR THE CHASE

RECON SERIES



*READY FOR
ADVENTURE*

The **RECON Series** is all about capability and confidence on the water. From dedicated anglers to weekend boaters, this lineup is built to handle the demands of the water while offering the right mix of practicality and comfort.



PURPOSE DRIVEN

Vertical-opening rod boxes, dual livewells, and step-up storage create a clean, functional fishing layout designed for long days on the water.



RIDE IN COMFORT

Whether you are navigating tight channels or exploring remote waters, these models get you comfortably where others cannot.



22 RECON

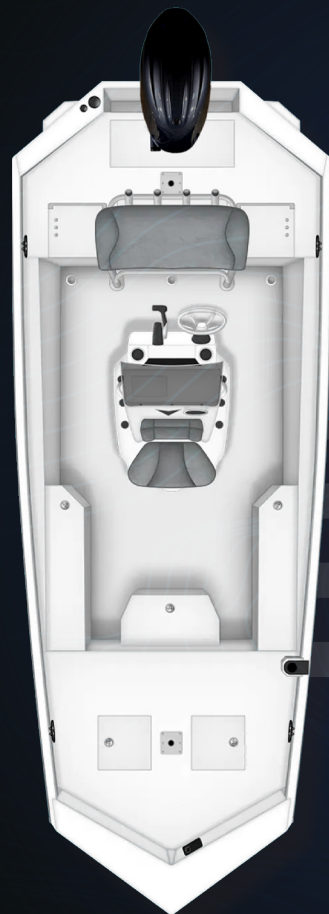
Designed for anglers who demand performance and smart features in a bay boat, the 22 Recon offers a spacious 22-foot layout, rod boxes for secure storage and is built for serious days on the water.

SPECIFICATIONS

LENGTH	22'	FUEL CAPACITY	34 GAL
BEAM	98"	WEIGHT CAPACITY	2,030 LBS
TRANSOM HEIGHT	25"	PERSONS	8/1,157 LBS
MAX HP	200 HP	ALUMINUM - 5052 MARINE	
SIDE HEIGHT	27"	GRADE ALLOY	0.125
BOTTOM WIDTH	70"	IN-CONSOLE LIVEWELL	10.5 GAL
DRAFT	12"	INSULATED FISH BOX	135 QTS
DEADRISE TRANSOM	9°	ROD BOXES	7'6" Rods
WEIGHT	1,848 LBS	LENGTH ON TRAILER	26'2"

STANDOUT FEATURES

- ▲ Flip-Up Jumpseats
- ▲ (2) Lockable Rod Lockers
- ▲ Versatec™ Gunnels
- ▲ Front & In-Console Livewell



21 RECON ST

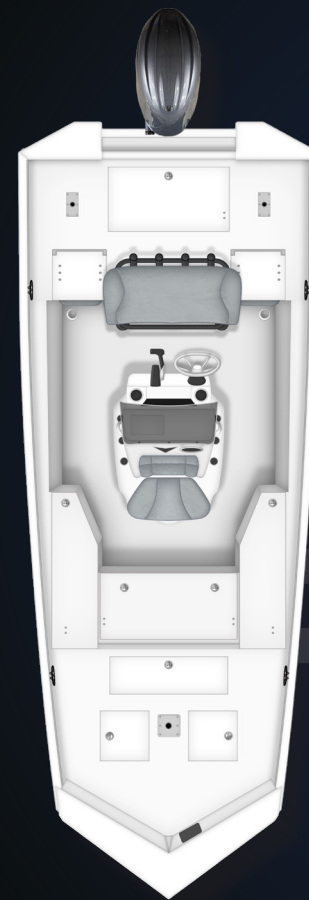
Built for the shallows, the 21 Recon ST is purpose driven and tunnel hull equipped for serious skinny water performance. With an optimized running surface, it delivers confident handling in backwater bays, marshes, and flats.

SPECIFICATIONS

LENGTH	21'1"	FUEL CAPACITY	27 GAL
BEAM	98"	WEIGHT CAPACITY	1,900 LBS
TRANSOM HEIGHT	20"	PERSONS	7/1,100 LBS
MAX HP	150 HP	ALUMINUM - 5052 MARINE	
SIDE HEIGHT	27"	GRADE ALLOY	0.125
BOTTOM WIDTH	68"	IN-CONSOLE LIVEWELL	10.5 GAL
DRAFT	10"	AFT LIVEWELL	25 GAL
DEADRISE TRANSOM	9°	ROD BOXES	7'6" Rods
WEIGHT	1,670 LBS	LENGTH ON TRAILER	26'3"

STANDOUT FEATURES

- ▲ Bow Step-Up
- ▲ Trutrac Tunnel Hull
- ▲ Versatec™ Gunnel System
- ▲ 25 Gallon AFT Livewell



207 RECON

At 20'7", the Recon 207 delivers performance in a balanced, easy-to-manage package. Built on the ALPHA Pad Hull with four lifting strakes, it provides an efficient, confident ride across a wide range of conditions.

SPECIFICATIONS

LENGTH	20'7"	FUEL CAPACITY	34 GAL
BEAM	98"	WEIGHT CAPACITY	1,900 LBS
TRANSOM HEIGHT	25"	PERSONS	7/1,100 LBS
MAX HP	150 HP	ALUMINUM - 5052 MARINE	
SIDE HEIGHT	27"	GRADE ALLOY	0.125
BOTTOM WIDTH	70"	IN-CONSOLE LIVEWELL	10.5 GAL
DRAFT	12"	FORWARD LIVEWELL	25 GAL
DEADRISE TRANSOM	9°	ROD BOXES	7'6" Rods
WEIGHT	1,848 LBS	LENGTH ON TRAILER	25'7"

STANDOUT FEATURES

- ▲ Dual Livewells
- ▲ Forward Insulated Fish Box
- ▲ Step-Up Storage
- ▲ Vertical Opening Rod Boxes

COLOR YOUR AVID

BAY (FSX / MAG / FUSION / RECON)

STANDARD



- ▲ White Interior & Console
- ▲ Choose Stripe Color

REVERSE HULL



- ▲ White Stripe, Interior & Console
- ▲ Choose Hull Bottom Color

TRI COLOR



- ▲ White Interior & Console
- ▲ Choose Hull Bottom & Stripe

FULL HULL



- ▲ White Console
- ▲ Choose Hull Color

Optional Reflex Decking Colors

Grey

Mocha

Colorado

COMMANDER

STANDARD



- ▲ Olive, Twill or Forge Brown Interior & Exterior

URETHANE FULL HULL



- ▲ Sharkskin Interior
- ▲ Choose Hull Color

Color Options

White	Charcoal	Black	Red	Ice Blue
Cobalt	Platinum	Sea Foam	Slate Grey	Maroon
Sage Green	Electric Blue	Matte Black	Matte Cobalt	Matte Red

Upholstery Color

Cool Grey

Saddle Leather

Cool Comfort Colorado

ROGUE (ROGUE CC / SC)

STANDARD



- ▲ Olive, Twill or Forge Brown Interior & Console
- ▲ Olive, Twill or Forge Brown Hull

URETHANE FULL HULL



- ▲ White Interior & Console (CC)
- ▲ Sharkskin Interior & Console (SC)
- ▲ Choose Hull Color

TWO TONE STRIPE



- ▲ White Hull bottom & Console (CC)
- ▲ Choose Stripe Color (CC)
- ▲ Sharkskin Interior (SC)
- ▲ Choose Hull Bottom, Stripe & Console (SC)

VERTEX

STANDARD



- ▲ Sharkskin Interior
- ▲ Choose Hull Bottom & Stripe Color
- ▲ Stripe-Matched Console Color
- ▲ Optional Metallic Clear Coat

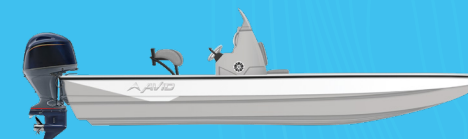
Optional Console Color



- ▲ Choose Console Color

Trim Packages

PLATINUM PACKAGE

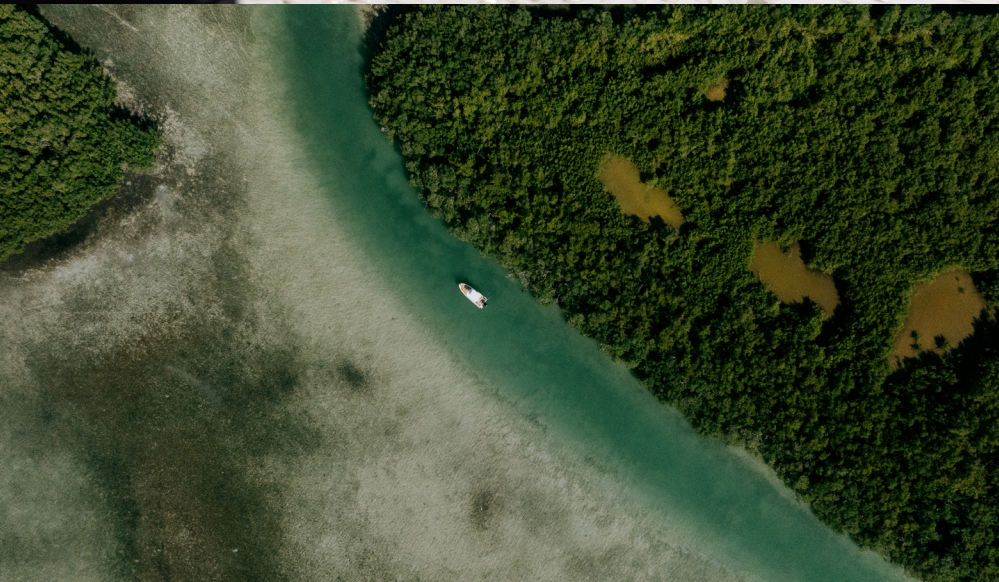


- ▲ Platinum Hull Bottom, Interior & Console
- ▲ Choose Stripe Color
- ▲ Metallic Clear Coat (Hull & Console)
- ▲ Black Rub Rail, Hardware & Badging

MOSSY OAK GAMEKEEPER® PACKAGE



- ▲ Hull Only Bottomland/Twill or Olive Interior
- ▲ Interior & Hull Bottomland
- ▲ Black Rub Rail, Hardware & Badging





**NOT YOUR AVERAGE
ALUMINUM BOAT.**

POWERED BY



© 2026 Avid Boats. All Rights Reserved. Reproduction in whole or in part without permission is prohibited. Avid Boats reserves the right to make changes in models, specifications, features, pricing, options at any time. Contact your Avid Boats Dealer for more information.

www.avidboats.com

